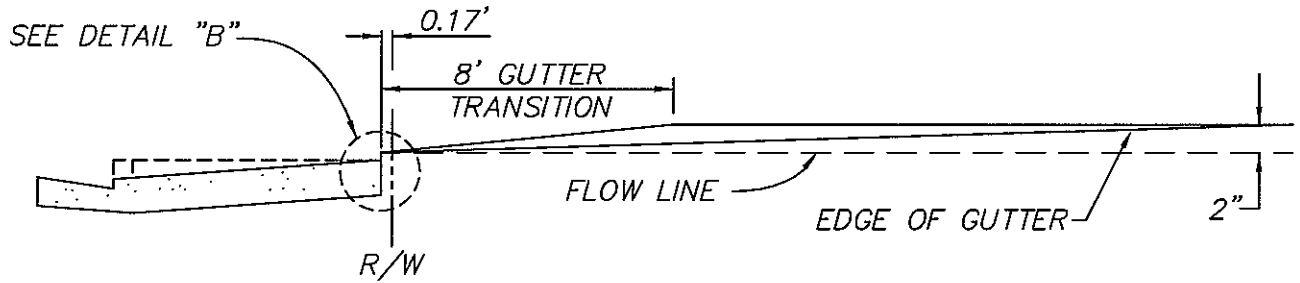
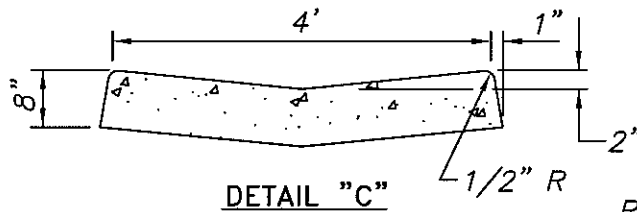


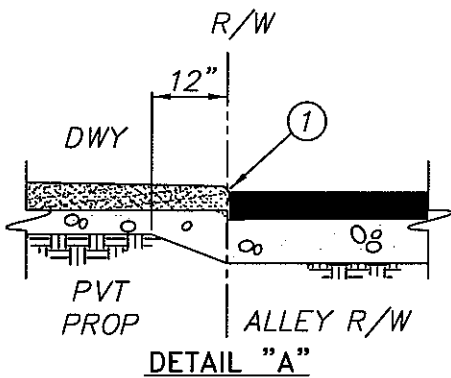
SECTION A-A



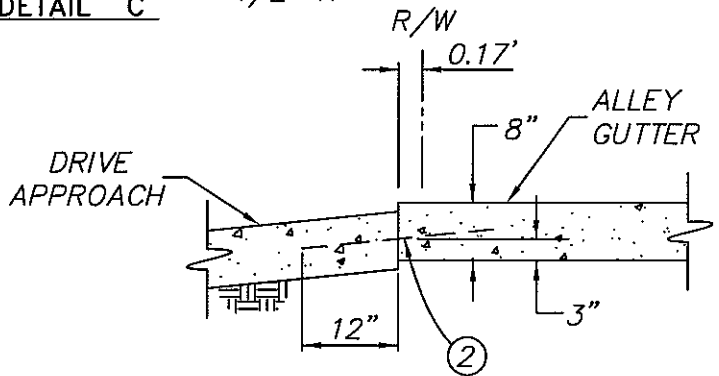
SECTION B-B



DETAIL "C"



DETAIL "A"



DETAIL "B"

NOTES:

- ① AT DRIVEWAYS ENTERING ALLEYS, ELIMINATE HEADER AND CONSTRUCT PER DETAIL "A" ABOVE.
- ② 2 - 1/2" DIA, SMOOTH BARS, 2' LONG, 12" FROM EDGES, AND 3" FROM BOTTOM OF ALLEY GUTTER, SEE DETAIL "B".

APPROVED:

*[Signature]*  
CITY ENGINEER

CITY OF HUNTINGTON BEACH

DEPARTMENT OF PUBLIC WORKS



REVISION DATE: May 2008

ALLEY SECTION

STANDARD PLAN  
107  
3 of 3